



**HIGH-PRESSURE,
HIGH-VOLUME
WASH PUMPS**

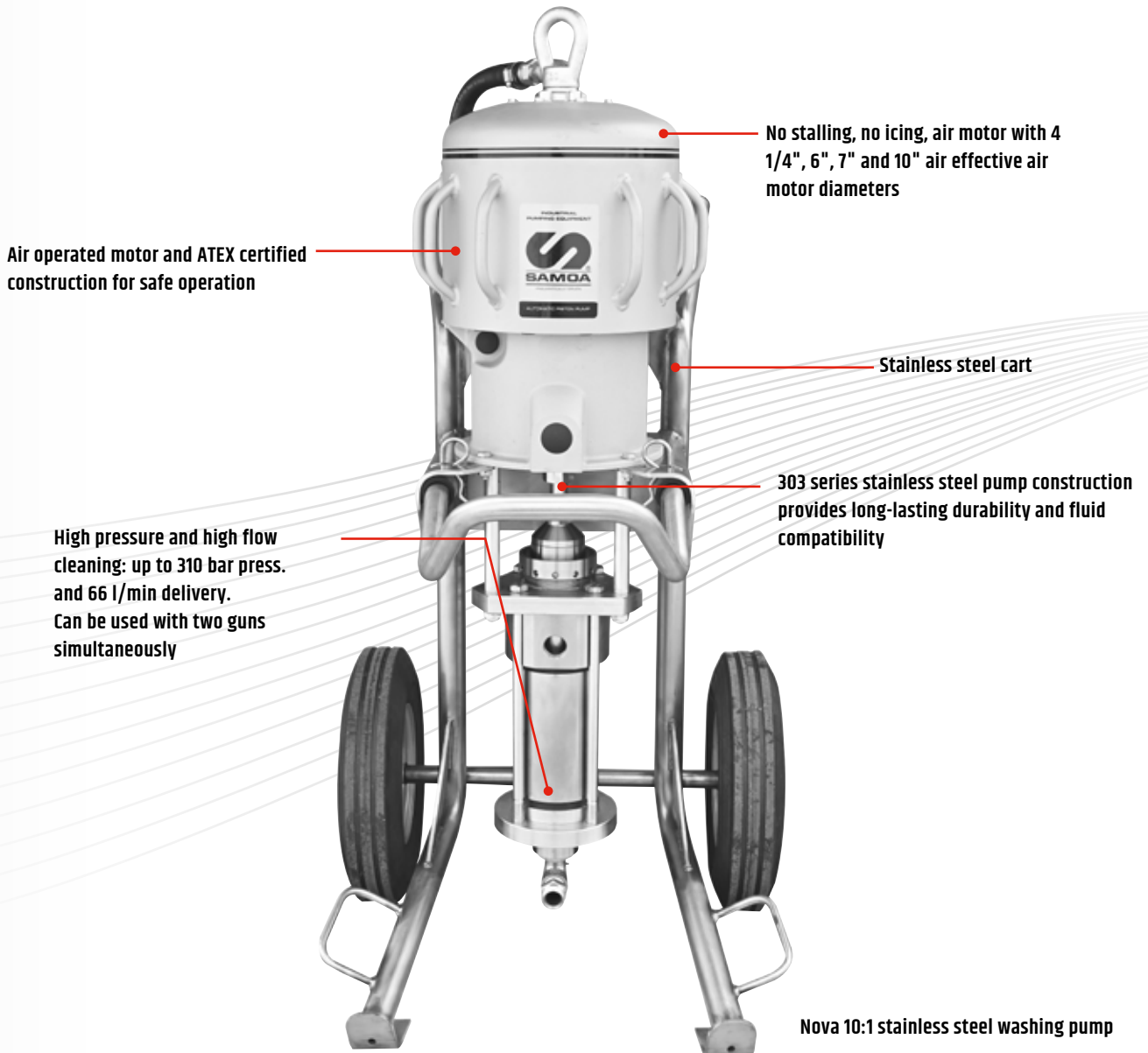
For intensive cleaning in hazardous environments

PROFESSIONAL PRESSURE AIR OPERATED WASHER

Stainless steel high pressure wash pumps for use with pure water, solvent, degreasers or washing solutions. Can be used with hot water until 90 °C.

ATEX certified pumps, can be used in potentially hazardous environments.

Pumps include a well proven, reliable air valve with a design that assures a highly efficient cold dissipation for no icing, no stalling operation using long pump runs. Suitable for intensive cleaning.



HEAVY-DUTY USE

With cold or hot water to remove:

- Oil
- Grease
- Heat-resistant substances

APPLICATION

- Marine and shipyards
- Offshore
- Oil and Gas
- Mining
- Construction
- Agriculture
- Service trucks

AIRLESS & HIGH VOLUME WASH PUMPS

AISI 303
Stainless Steel



ATEX Certified
EX II 2 G Ex h IIB T6 Gb
SIRIO



ATEX Certified
EX II 2 G c IIB T6
GHIBLI - OMEGA - NOVA



GHIBLI WASH PUMP
4 1/4" effective air motor
diameter. 10:1 pressure ratio

SIRIO WASH PUMP
6" effective air motor
diameter. 32:1 pressure ratio

OMEGA WASH PUMP
7" effective air motor diameter.
5:1, 10:1 and 23:1 pressure ratio

NOVA WASH PUMP
10" effective air motor diameter.
10:1, 20:1, 30:1 and 45:1 pressure ratio

CHOOSE YOUR CONFIGURATION - TECHNICAL DATA

MODEL	CONFIGURATION	PART. No.	MAX. DELIVERY	Ø PUMP AIR MOTOR - STROKE	MAX. AIR PRESSURE	MAX. FLUID PRESSURE	DELIVERY PER CYCLE	TIPS INCLUDED
GHIBLI 10:1	On trolley	LAK70001	12 l/min	Ø 4" 1/4 x 4"	7 bar - 102 psi	70 bar - 1.015 psi	200 cm ³	02 - 03 - 04
	On wall	LAK70008						
	For 200 l drum	LAK70009						
SIRIO 32:1	On trolley	LAK70004	8,5 l/min	Ø 6" x 4"	7 bar - 102 psi	224 bar - 3.248 psi	140 cm ³	02 - 04 - 06
OMEGA 5:1	On trolley	LAK70019	66 l/min	Ø 7" - 4 3/4"	7 bar - 102 psi	40 bar - 600 psi	1.100 cm ³	05 - 075 - 08
	On wall	LAK70020						
OMEGA 10:1	On trolley	LAK70002	32 l/min	Ø 7" - 4 3/4"	7 bar - 102 psi	80 bar - 1.160 psi	530 cm ³	05 - 075 - 08
	On wall	LAK70011						
OMEGA 23:1	On trolley	LAK70000	14 l/min	Ø 7" - 4 3/4"	7 bar - 102 psi	161 bar - 2.335 psi	230 cm ³	02 - 04 - 06
	On wall	LAK70012						
NOVA 10:1	On trolley	LAK70017	66 l/min	Ø 10" - 4 3/4"	7 bar - 102 psi	80 bar - 1.160 psi	1.100 cm ³	05 - 075 - 08
	On wall	LAK70018						
NOVA 20:1	On trolley	LAK70003	32 l/min	Ø 10" - 4 3/4"	7 bar - 102 psi	140 bar - 2.030 psi	530 cm ³	05 - 075 - 08
	On wall	LAK70014						
NOVA 30:1	On trolley	LAK70007	23 l/min	Ø 10" - 4 3/4"	7 bar - 102 psi	210 bar - 3.045 psi	380 cm ³	04 - 065 - 07
	On wall	LAK70015						
NOVA 45:1	On trolley	LAK70006	14 l/min	Ø 10" - 4 3/4"	7 bar - 102 psi	315 bar - 4.568 psi	230 cm ³	02 - 04 - 06
	On wall	LAK70016						

ACCESSORIES

All pressure washers include:

- Air pressure regulator
- Hydro spray gun
- Ventilated lance with heat-protected handle 170 cm
- 3 stainless steel nozzles
- Stainless steel suction system 200 l
- High pressure hose 345 bar - Ø 3/8" - 3/8" BSPP 15 m

HYDRO SPRAY GUN	
PART No.	DESCRIPTION
LA70001R	Hydro spray gun 3/8" BSPP
VENTILATED LANCE	
LA70007R	Ventilated lance 70 cm. Heat-protected handle
LA70006R	Ventilated lance 120 cm. Heat-protected handle
LA70000R	Ventilated lance 170 cm. Heat-protected handle
STAINLESS STEEL SUCTION SYSTEM	
LA70150	Stainless steel suction system - 1" BSPP - 200 l drum
STAINLESS STEEL LINE FILTER	
LA99250/2	GHIBLI pump stainless steel line filter
LA70155	SIRIO - OMEGA - NOVA pumps stainless steel line filter
ASPIRATION HOSES	
LA98245	Aspiration hose for 30 l stainless steel tank - connection
LA98246	Aspiration hose for 1000 l stainless steel tank - connection
STAINLESS STEEL NOZZLES Angle 40° - Capacity 80 bar	
LA70020R	02 - 4 l/min
LA70011R	03 - 6,1 l/min
LA70012R	04 - 8,4 l/min
LA70013R	05 - 10 l/min
LA70014R	06 - 12,1 l/min
LA70016R	07 - 14,1 l/min
LA70018R	08 - 16,1 l/min
LA70020R	09 - 18 l/min
STAINLESS STEEL NOZZLES Angle 25° - Capacity 80 bar	
LA70015R	065 - 13,2 l/min
LA70015R	075 - 15,2 l/min
ANTISTATIC AIRLESS HOSE	
LA18072/1	Airless hose max. pressure 345 bar Ø 3/8" - 3/8" BSPP Length 15 m
SECOND GUN KIT	
LA65016	Stainless steel connections 3/8" BSPP for two independent workers for two independent workers



SAMOA INDUSTRIAL, S.A. - HEADQUARTERS
 SPAIN AND EXPORT MARKETS
 POL. IND. PORCEYO, 1-14 - CAMINO DEL FONTÁN, 831
 E-33392 GIJÓN (ASTURIAS), SPAIN
 TEL.: +34 985 381 488 - FAX: +34 985 147 213

SAMOA ITALY - LARIUS
 ITALY
 VIA ANTONIO STOPPANI, 21
 23801 CALOLZIOCORTE (LC) ITALY
 Tel.: +39 0341 621152 - Fax: +39 0341 621242
 www.larius.com

SAMOA LTD.
 UNITED KINGDOM AND REP. OF IRELAND
 ASTURIAS HOUSE - BARRS FOLD ROAD
 WINGATES INDUSTRIAL PARK
 WESTHOUGHTON, BL5 3XP, UK
 TEL.: +44 1942 850600 - FAX: +44 1942 812160

SAMOA S.A.R.L.
 FRANCE
 P.A.E.I. DU GIESSEN
 3, RUE DE BRISCHBACH
 67750 SCHERWILLER, FRANCE
 TEL.: +33 3 88 82 79 62 - FAX: +33 3 88 82 77 88

SAMOA FLOWTECH GMBH
 GERMANY, AUSTRIA, SWITZERLAND, THE NETHERLANDS AND GREECE
 AM OBEREICHHOLZ 4
 D - 97828 MARKTHEIDENFELD, GERMANY
 TEL.: +49 9391 9826 0 - FAX: +49 9391 98 26 50

SAMOA CORPORATION
 USA, CANADA AND MEXICO
 90 MONTICELLO ROAD
 WEAVERVILLE, NC 28787, USA
 TEL: +1 (828) 645-2290 - FAX: +1 (828) 658 0840

©Copyright, SAMOA INDUSTRIAL, S.A.
 SAMOA Industrial, S.A. is an ISO 9001, ISO 14001 and ISO 45001 certified company.

