



## **AIRLESS LINE MARKING EQUIPMENT**

**POWER CONTROL ON THE ROAD  
PROVEN PERFORMANCE  
DEFINED LINES AT THE FIRST PASS**



# TECHNICAL QUALITY CERTIFIED

## WE'RE SPECIALIZED IN AIRLESS TECHNOLOGY

SAMOA professional airless road marking machines joins product performance with operator needs and allow marking and maintenance of all types lines for flooring, highways, airfields, crossings pedestrian, bicycle paths, parking lots, squares and all that is required by the code of the road in the field of horizontal sign age, guaranteeing perfect lines on different types of surfaces.

Airless technology provides high-pressure paint spray through airless nozzle of centimetre size versus traditional spraying allow pressure where the flow of paint is sprayed through the air supply.



Part No. LA18383  
DALI PLUS airless line  
striper with 23 l paint can

### ADVANCED MARKING SOLUTIONS

#### Increase your productivity on the road

#### AT THE FIRST PASS NET MARKING LINES

With only one “pass” the marking line is defined uniformly: the line of an airless spraying is linear, clear and sharp thanks to the flat cutting airless nozzle and without jagged effects due to the turbulence caused by the air.

#### OVER SPRAY MINIMIZED

Airless operation marking eliminates the classic “Overspray” particle dispersion of paint typical of traditional air paint. This results in a paint saver, in the larger one protection for the health of the operator and the environment.

#### SAVES UP TO 30% OF PAINT

Thanks to the lack of Overspray the almost totality of the product used is applied to the surface without waste.

#### VIBRATION REDUCTION

Vibration reduction ensures the quality of the lines best in the road marking sector.

#### THE PAINT DRIES QUICKLY

Airless marking operation requires the use of filtered varnish specific for airless applications, this in itself means homogeneous, smooth and uniform texture that does not will make any crust, nor will it become gelatinous or thick.

The paint adheres tensely to all types of flooring, with excellent visibility and wear resistance both from traffic and from atmospheric agents.

High quality paints ensure faster speeds drawing, longer line visibility, and a agreeable aesthetic result.

#### REFLECTIVE BEAD APPLICATION

Reflective beads apply with a gravity dispenser driven by the same command that drives the painting gun. The “spheres” automatically fall on the strip just drawn. Do not use pre-mixed beads.

#### 50 L NO-STICK GRAVITY TANK

Thanks to the large capacity of the hopper the tracing times are prolonged due to the absence of frequent interruptions to effect colour change.

#### MARKING ROAD SIGNS AND CURVES

Airless paint gun can be released within a few seconds of its support, thanks to the different lengths of airless hose to which it is connected, it allows any work like marking road signs and painting walls.

The front wheel facilitates marking lines up to the sidewalk and easy marking of bows and curves.

#### INTUITIVE USE BY THE OPERATOR

Operator controls are in front of the handlebar to adjust the road marking machines operation with extreme manageability.

#### EASY OPERATION, CLEANING AND MAINTENANCE

The cleaning of the airless marking machine is fast due to the absence of pressurized tank to be cleaned and therefore change times colour are very short lived.

The high pressure of the road marking airless machine does not require therefore a preventive cleaning of the ground. Regular cleaning at work is enough to keep it the machine in perfect efficiency even after long periods of inactivity.

samoa Super Fast Clean airless nozzles allow cleaning of the nozzle with a simple rotating movement, without have to disassemble it.

# AIRLESS ROAD MARKING MACHINES DIAPHRAGM PUMP

FROM SAMOA PROVEN STRIPING TECHNOLOGY A WIDE RANGE OF ROAD-MARKING AND PAVEMENT MAINTENANCE EQUIPMENT.



**GIOTTO** airless marking machine  
PART No. LA4080  
with glass beads kit (optional)

## CHOOSE YOUR CONFIGURATION

MODEL	DALI PLUS			GIOTTO		
	LA18383	LA18382	LA18382/1	LA4081	LA4080	LA4080/1
PART No.	LA18383	LA18382	LA18382/1	LA4081	LA4080	LA4080/1
PETROL ENGINE POWER	4,8 HP	4,8 HP	4,8 HP	11,7 HP	11,7 HP	11,7 HP
MAX. FLOW RATE	4 l/min	4 l/min	4 l/min	8 l/min	8 l/min	8 l/min
MAX. PRESSURE	220 bar	220 bar	220 bar	220 bar	220 bar	220 bar
MANUAL PUSH	•	•	•	-	-	-
SELF PROPELLED	-	-	-	•	•	•
HEAD CONTROL SYSTEM	-	-	-	-	-	•
AUTOMATIC MARKING LINES KIT	-	-	-	-	-	•
GLASS BEADS KIT	-	-	•	-	-	-
FLASHING TELESCOPIC ROD	-	-	-	•	•	•
23 L PAINT CAN	•	-	-	-	-	-
50 L GRAVITY TANK	-	•	•	•	•	•
Ø 1/4" - M16 X 1,5 - 10 M AIRLESS HOSE	•	•	•	•	•	•
RECIRCULATION HOSE	•	•	•	•	•	•
FILTER WITH PRESSURE GAUGE	•	•	•	•	•	•
1 AT250 AIRLESS MANUAL SPRAY GUN	•	•	-	•	-	•
2 AT250 AIRLESS MANUAL SPRAY GUNS	-	-	•	-	•	-
2 LA96 AIRLESS AUTOMATIC SPRAY GUNS	-	-	-	-	-	•
AIRLESS NOZZLE HOLDER	•	•	•	•	•	•
SUPER FAST CLEAN AIRLESS SPRAYING NOZZLES	•	•	•	•	•	•
1 COLOUR	•	•	•	•	•	•
1 SINGLE LINE: CONTINUOUS - DASHED	•	•	•	-	-	-
2 DOUBLE LINES: CONTINUOUS - DASHED - MIXED	-	-	-	•	•	•
TOOLS KIT	•	•	•	•	•	•

# AIRLESS ROAD MARKING MACHINES PISTON PUMP

**SAMOA ON THE ROAD.  
THE BEST MARKING ON YOUR SIDE**



**DRAGON** airless marking machine  
PART No. LA4595

## CHOOSE YOUR CONFIGURATION

MODEL	EXCALIBUR		ZEUS				DRAGON				EVEREST TH
PART No.	LA4861	LA4860	LA4561	LA4560	LA4591	LA4590	LA4595	LA4596	LA4597	LA4598	LA4000
PETROL ENGINE POWER	4,8 HP	4,8 HP	8,4 HP	8,4 HP	8,4 HP	8,4 HP	8,4 HP	8,4 HP	8,4 HP	8,4 HP	11,7 HP
MAX. FLOW RATE	2,2 l/min	2,2 l/min	4,5 l/min	4,5 l/min	4,5 l/min	4,5 l/min	6,5 l/min	6,5 l/min	6,5 l/min	6,5 l/min	9 l/min
MAX. PRESSURE	220 bar	220 bar	220 bar	220 bar	220 bar	220 bar	220 bar	220 bar	220 bar	220 bar	220 bar
MANUAL PUSH	•	•	•	•	•	•	•	•	•	•	-
SELF PROPELLED	-	-	-	-	-	-	-	-	-	-	•
HEAD CONTROL SYSTEM	-	-	-	-	-	-	-	-	-	-	•
AUTOMATIC MARKING LINES KIT	-	-	-	-	-	-	-	-	-	-	•
GLASS BEADS KIT	-	-	-	-	-	-	-	-	-	-	•
FLASHING TELESCOPIC ROD KIT	-	-	-	-	-	-	-	-	-	-	•
WORKING LIGHT KIT	-	-	-	-	-	-	-	-	-	-	•
OPERATOR FOOT BOARD KIT	-	-	-	-	-	-	-	-	-	-	•
PISTON TYPE ACCUMULATOR	•	•	•	•	•	•	•	•	•	•	•
23 L PAINT CAN	•	-	•	-	•	-	•	-	•	-	-
50 L GRAVITY TANK	-	•	-	•	-	•	-	•	-	•	•
Ø 1/4" - M16 X 1,5 - 10 m AIRLESS HOSE	•	•	•	•	•	•	-	-	-	-	-
Ø 1/4" - M16 X 1,5 - 15 m AIRLESS HOSE	-	-	-	-	-	-	•	•	•	•	•
RECIRCULATION HOSE	•	•	•	•	•	•	•	•	•	•	•
FILTER WITH PRESSURE GAUGE	•	•	•	•	•	•	•	•	•	•	•
1 AT250 AIRLESS MANUAL SPRAY GUN	•	•	•	•	-	-	•	•	-	-	•
2 AT250 AIRLESS MANUAL SPRAY GUNS	-	-	-	-	•	•	-	-	•	•	-
2 LA96 AIRLESS AUTOMATIC SPRAY GUNS	-	-	-	-	-	-	-	-	-	-	•
AIRLESS NOZZLE HOLDER	•	•	•	•	•	•	•	•	•	•	•
SUPER FAST CLEAN AIRLESS NOZZLES	•	•	•	•	•	•	•	•	•	•	•
1 COLOUR	•	•	•	•	•	•	•	•	•	•	•
SINGLE LINE: CONTINUOUS - DASHED	•	•	•	•	-	-	•	•	-	-	-
DOUBLE LINES: CONTINUOUS - DASHED - MIXED	-	-	-	-	•	•	-	-	•	•	•
TOOLS KIT	•	•	•	•	•	•	•	•	•	•	•

# AIRLESS BATTERY ROAD MARKING MACHINE DIAPHRAGM PUMP - PISTON PUMP

PROVEN QUALITY AND DURABILITY.  
MAXIMUM OPERATIONAL AUTONOMY THANKS TO UNSTOPPABLE BATTERIES



MIRÒ E-LINER airless marking machine  
PART No. LA431B01

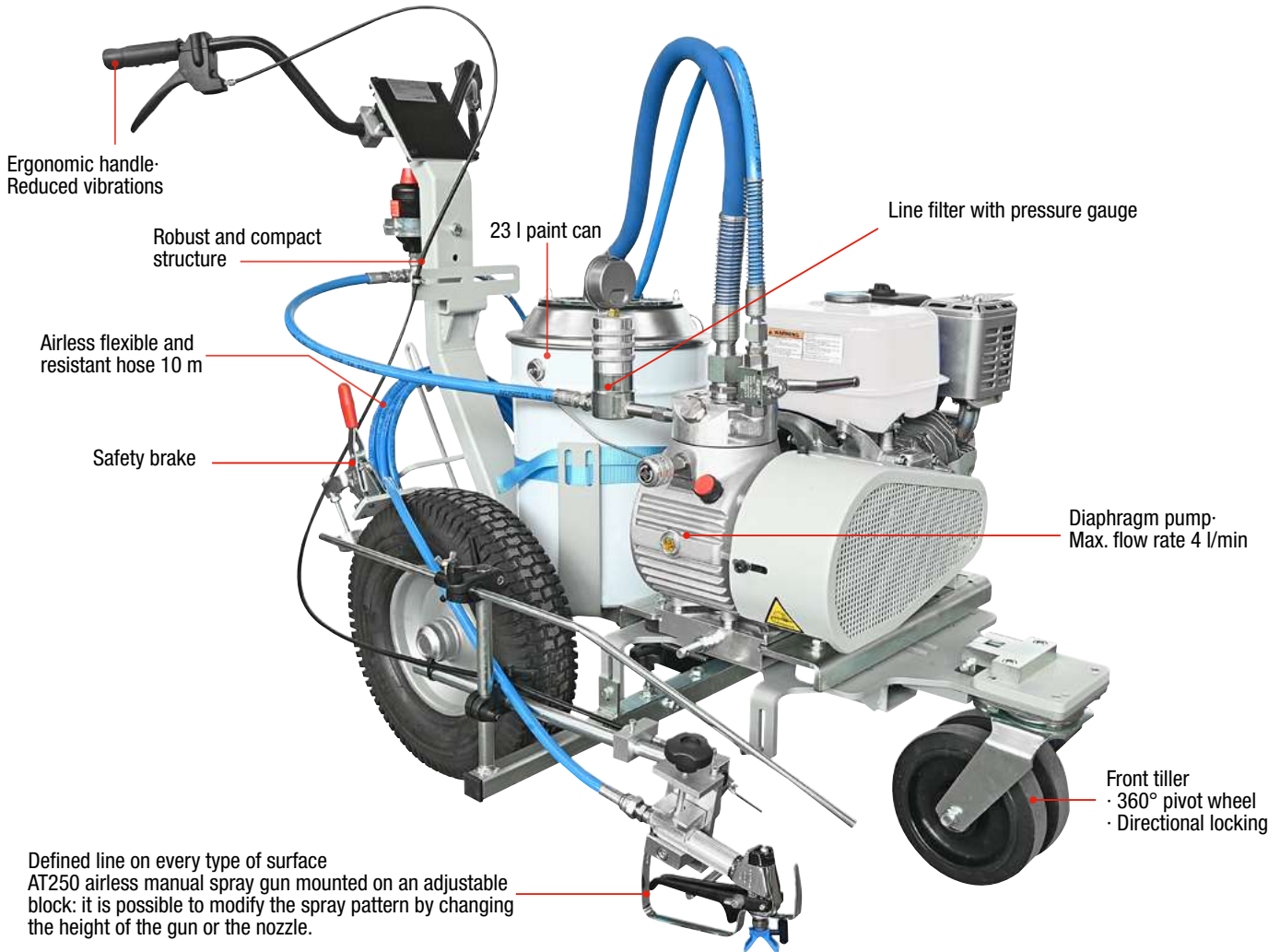
## CHOOSE YOUR CONFIGURATION

MODEL	MIRÒ E-LINER				ECO K21
	LA431B01	LA432B01	LA431B11	LA432B21	LA4200
PART NO.	LA431B01	LA432B01	LA431B11	LA432B21	LA4200
ELECTRIC MOTOR POWER	1,8 kW	1,8 kW	1,8 kW	1,8 kW	0,75 kW
BATTERY ENGINE	10 Ah	10 Ah	10 Ah	10 Ah	240 Ah
BATTERY NO.	1	2	1	2	4
BATTERIES RECHARGE	•	•	•	•	•
DIAPHRAGM PUMP	•	•	•	•	-
PISTON PUMP	-	-	-	-	•
MAX. FLOW RATE	2,2 l/min	2,2 l/min	2,2 l/min	2,2 l/min	2,2 l/min
MAX. PRESSURE	220 bar	220 bar	220 bar	220 bar	220 bar
MANUAL PUSH	•	•	•	•	-
SELF-PROPELED	-	-	-	-	•
HEAD CONTROL SYSTEM	-	-	-	-	-
AUTOMATIC MARKING LINES KIT	-	-	-	-	-
GLASS BEADS KIT	-	-	-	-	-
FLASHING TELESCOPIC ROD KIT	•	•	•	•	•
WORKING LIGHT KIT	-	-	-	-	-
OPERATOR FOOTBOARD KIT	-	-	-	-	-
PISTON TYPE ACCUMULATOR	•	•	•	•	•
50 L GRAVITY TANK	-	-	-	-	•
23 L PAINT CAN	•	•	•	•	-
Ø 1/4" - M16X1,5 - 10 M AIRLESS HOSE	•	•	•	•	•
RECIRCULATION HOSE	•	•	•	•	•
FILTER WITH PRESSURE GAUGE	•	•	•	•	•
1 AT250 AIRLESS SPRAY GUN	•	•	•	•	•
SUPER FAST CLEAN AIRLESS NOZZLE	•	•	•	•	•
1 COLOUR	•	•	•	•	•
SINGLE LINE: CONTINUOS - DASHED	•	•	•	•	-
DOUBLE LINE: CONTINUOS - DASHED	-	-	-	-	•
TOOLS KIT	•	•	•	•	•

# DALI PLUS AIRLESS LINE MARKER

**HIGH PRESSURE - MANUAL PUSH - DIAPHRAGM PUMP**  
**4 L/MIN - 220 BAR - 4,8 HP HONDA PETROL ENGINE**

**PART No. LA18383**



Defined line on every type of surface  
 AT250 airless manual spray gun mounted on an adjustable block: it is possible to modify the spray pattern by changing the height of the gun or the nozzle.

## APPLICATIONS

### MEDIUM SIZE MARKING - MAINTENANCE - PAINTING JOBS

- Roads - Highways
- Galleries - Road tunnels
- Cycle runway
- Outdoor and underground parking
- Playgrounds
- Sports circuits
- Public and private areas
- Airports

## MATERIALS

### WATER OR SOLVENT PAINT WITHOUT SUSPENDED PARTICLES

## LINE TYPE

### SINGLE LINE

- 1 Colour
- Continuous - Dashed
- Width from 5 to 30 cm



# DALÌ PLUS SERIES

## TECHNICAL DATA

<b>SERIES</b>	<b>DALÌ PLUS</b>
<b>MODELS</b>	Manual push - Diaphragm pump
<b>MAX. PRESSURE</b>	220 bar
<b>MAX. FLOW RATE</b>	4 l/min
<b>HONDA PETROL ENGINE</b>	4,8 HP
<b>AIRLESS PAINT CAPACITY</b>	23 l paint can - 50 l gravity tank
<b>DIMENSIONS</b>	1.250 x 820 x 1.400 mm
<b>WEIGHT</b>	120 kg



PART No. LA18382  
DALÌ PLUS airless road marking machine with 50 l gravity tank

PART No.	MANUAL PUSH	23 L PAINT CAN	50 L GRAVITY TANK	GLASS BEADS KIT	AIRLESS HOSE	AT250 AIRLESS MANUAL GUN	AIRLESS NOZZLE HOLDER	SUPER FAST CLEAN AIRLESS NOZZLES
LA18383	•	•	-	-	N°1 PART No. LA35015 Ø 1/4" - M16 x 1,5 - 10 m	N°1 PART No. LA11210 M16 x 1,5 inlet swivel	N°1 PART No. LA18270	N° 1 LASFC 11-40 N° 1 LASFC 13-40 N° 1 LASFC 15-40
LA18382	•	-	•	-	N°1 PART No. LA35015 Ø 1/4" - M16 x 1,5 - 10 m	N°1 PART No. LA11210 M16 x 1,5 inlet swivel	N°1 PART No. LA18270	N° 1 LASFC 11-40 N° 1 LASFC 13-40 N° 1 LASFC 15-40
LA18382/1	•	-	•	•	N°1 PART No. LA35015 Ø 1/4" - M16 x 1,5 - 10 m	N°2 PART No. LA11210 M16 x 1,5 inlet swivel	N°2 PART No. LA18270	N° 2 LASFC 13-40 N° 2 LASFC 15-40 N° 2 LASFC 19-40

### DALÌ PLUS series includes:

filter with pressure gauge, recirculation hose and tools box.

## ACCESSORIES

PART No.	DESCRIPTION
LA35015	Airless hose Ø 1/4" - M16 x 1,5 inlet swivel - 10 m
LA11200	AT250 manual airless spray gun - M16 x 1,5 inlet swivel + Nozzle holder
LA11210	AT250 manual airless spray gun - M16 x 1,5 inlet swivel
LA18270	11/16" Europe W airless nozzle holder
LASFC	Super Fast Clean airless nozzle. Size from 11-20 to 51-80
LATSC	Top Spraying Clean airless nozzle. Size from 7-10 to 31-60
LA18245	50 l Gravity tank + Cover
LA18241	50 l Gravity tank + Cover+ Basket
LA4500	11 l Gravity tank + Glass beads diffuser hose
LA19510	11 l glass beads gravity tank
LA19510/1	Over 11 l glass beads gravity tank

PART No. LA18382/1  
Dali PLUS airless lines striper with glass beads dispenser kit



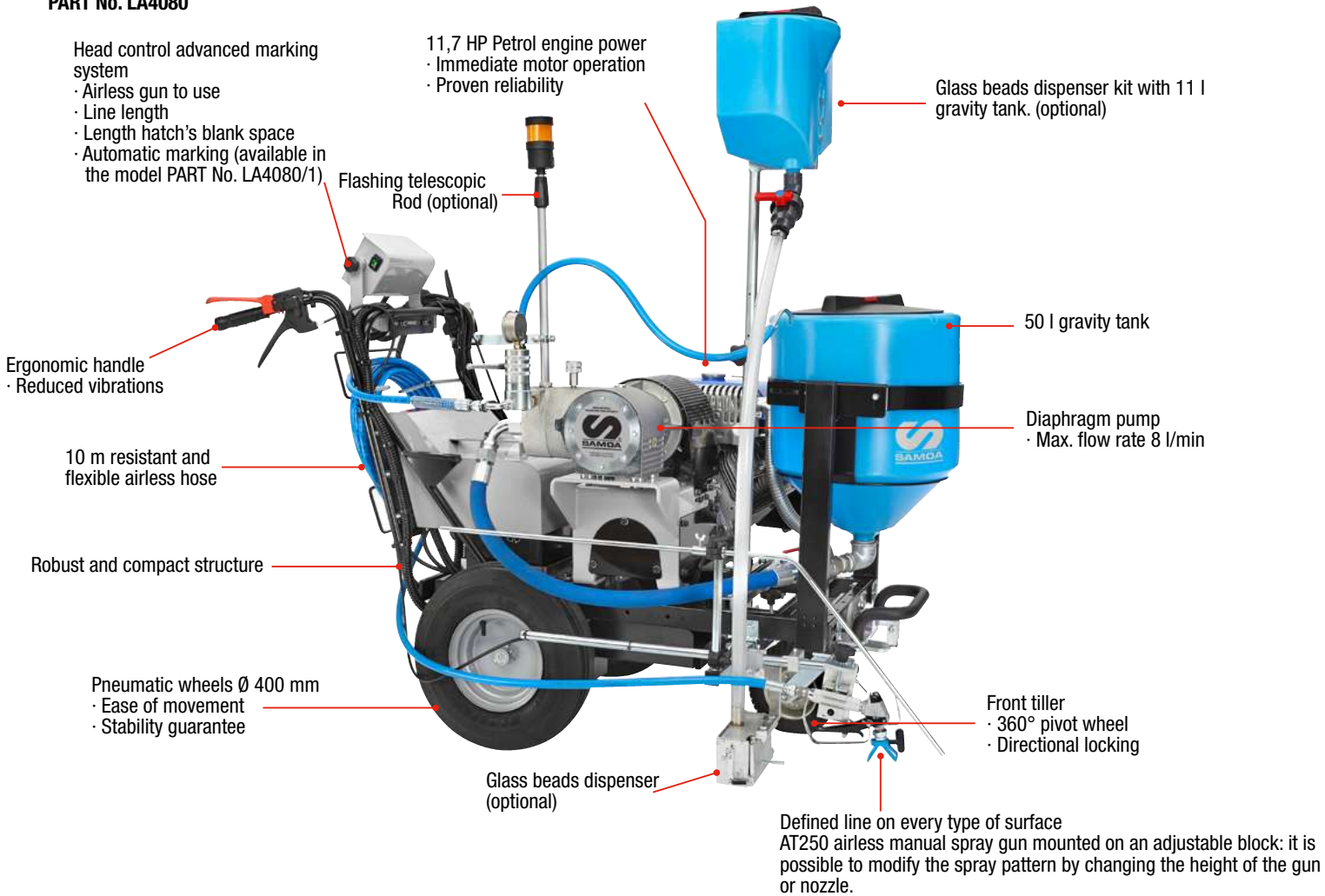
## KITS

PART No.	DESCRIPTION
LA200270	Complete kit for second airless gun for PART No. LA18383 and PART No. LA18382. (mounting kit PART No. LA4307 + airless gun PART No. LA11200 + airless nozzles PART No. LASFC 11 - 40 / 13 - 40 / 15 - 40)
LA4307	Mounting kit for second airless gun (airless gun not included)
LA18359	11 l Gravity tank + 1 Diffuser hose + 1 Glass beads manual spray gun kit
LA18359/2	11 l Gravity tank + 2 Diffuser hoses + 2 Glass beads manual spray guns kit
LA4038	Laser pointer kit
LA4840	Gun handling + Front pivot

# GIOTTO AIRLESS LINE MARKER

**HIGH PRESSURE - SELF-PROPELLED - DIAPHRAGM PUMP**  
**8 L/MIN - 220 BAR - 11,7 HP HONDA PETROL ENGINE**

**PART No. LA4080**



## APPLICATIONS

### BIG SIZE MARKING - MAINTENANCE - PAINTING JOBS

- Roads - Highways
- Galleries - Road tunnels
- Cycle runway
- Outdoor and underground parking
- Playgrounds
- Sports circuits
- Public and private areas
- Airports

## MATERIALS

### WATER OR SOLVENT PAINT WITHOUT SUSPENDED PARTICLES

## LINE TYPE

### DOUBLE LINE

- 1 Colour
- Continuous - Dashed - Mixed
- Width from 5 to 30 cm



# GIOTTO SERIES

## TECHNICAL DATA

<b>SERIES</b>	<b>GIOTTO</b>
<b>MODELS</b>	Self-propelled - Diaphragm pump
<b>MAX. PRESSURE</b>	220 bar
<b>MAX. FLOW RATE</b>	8 l/min
<b>HONDA PETROL ENGINE</b>	11,7 HP
<b>AIRLESS PAINT CAPACITY</b>	50 l gravity tank
<b>DIMENSIONS</b>	1.430 x 1.930 x 1.560 mm
<b>WEIGHT</b>	300 kg

PART No.	SELF PROPELLED	AUTOMATIC MARKING	50 L GRAVITY TANK	AIRLESS HOSE	AT250 AIRLESS MANUAL GUN	LA96 AIRLESS AUTOMATIC GUN	AIRLESS NOZZLE HOLDER	SUPER FAST CLEAN AIRLESS NOZZLES
LA4081	•	-	•	N°1 PART No. LA35015 Ø 1/4" - M16 x 1,5 - 10 m	N°1 PART No. LA11210 M16 x 1,5 inlet swivel	-	N° 1 PART No. LA18270	N° 1 LASFC 11-40 N° 1 LASFC 13-40 N° 1 LASFC 17-40
LA4080	•	-	•	N°1 PART No. LA35015 Ø 1/4" - M16 x 1,5 - 10 m	N°2 PART No. LA11210 M16 x 1,5 inlet swivel	-	N° 2 PART No. LA18270	N° 2 LASFC 11-40 N° 2 LASFC 13-40 N° 2 LASFC 17-40
LA4080/1	•	•	•	N°1 PART No. LA35015 Ø 1/4" - M16 x 1,5 - 10 m	N°1 PART No. LA11210 M16 x 1,5 inlet swivel	N°2 PART No. LA11708 M16 x 1,5 inlet swivel	N° 4 PART No. LA18270	N° 2 LASFC 11-40 N° 2 LASFC 13-40 N° 2 LASFC 17-40 N° 1 LASFC 19-40

### GIOTTO series includes:

filter with pressure gauge, recirculation hose, flashing telescopic rod and tools box.

## ACCESSORIES

PART No.	DESCRIPTION
LA35015	Ø 1/4" - M16 x 1,5 inlet swivel - 10 m Airless hose
LA11200	AT250 manual airless spray gun - M16 x 1,5 inlet swivel + Nozzle holder
LA11210	AT250 manual airless spray gun - M16 x 1,5 inlet swivel
LA18270	11/16" Europe W airless nozzle holder
LASFC	Super Fast Clean airless nozzle. Size from 11-20 to 51-80
LATSC	Top Spraying Clean airless nozzle. Size from 7-10 to 31-60
LA18245	50 l Gravity tank + Cover
LA18241	50 l Gravity tank + Cover+ Basket
LA4500	11 l Gravity tank + Glass beads diffuser hose
LA26000	Operator footboard
LA4720	Seat kit
LA19510	11 l glass beads gravity tank
LA19510/1	Cover 11 l glass beads gravity tank

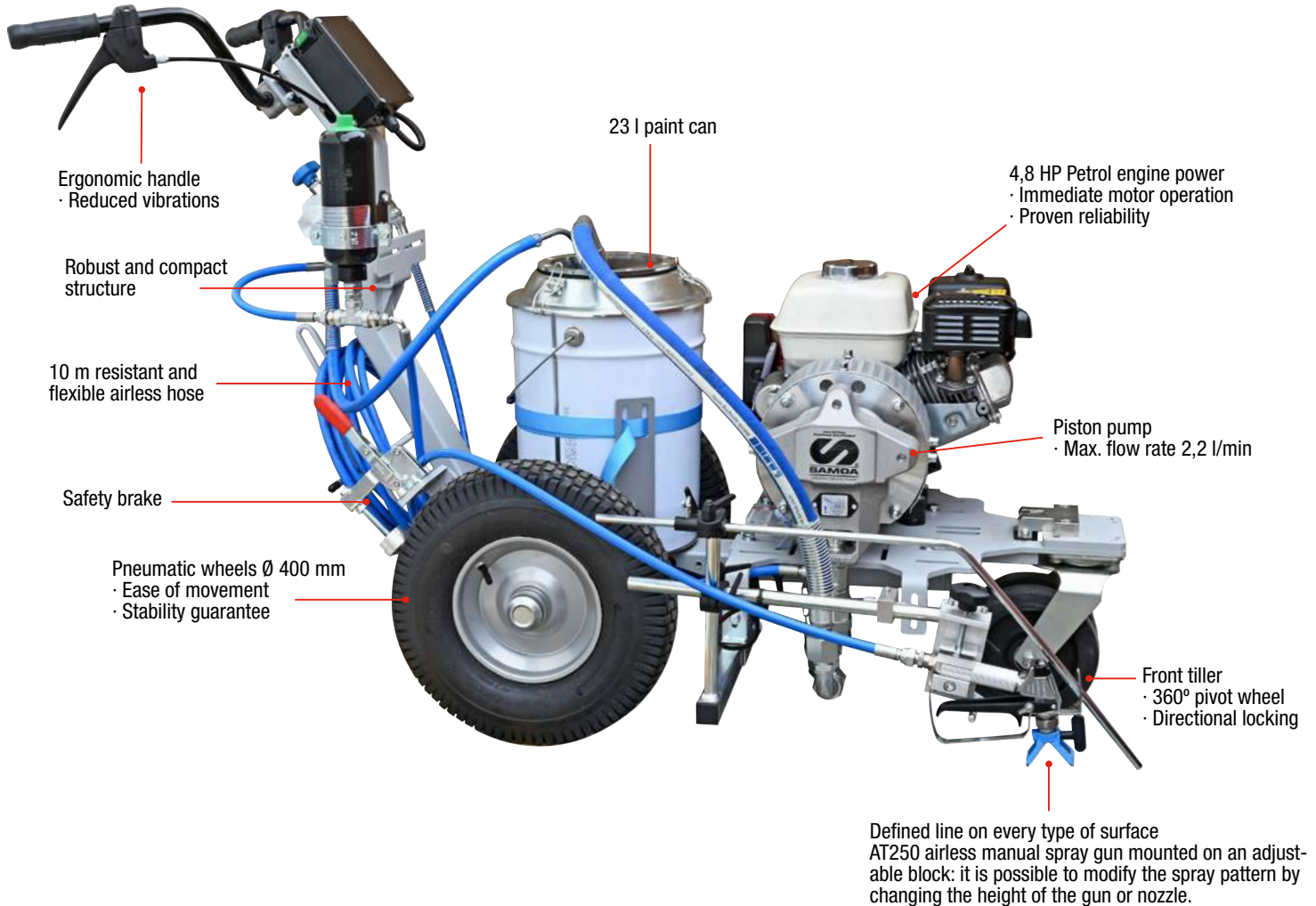
## KITS

PART No.	DESCRIPTION
LA18359	11 l Gravity tank + 1 Diffuser hose + 1 Glass beads manual spray gun kit
LA18359/2	11 l Gravity tank + 2 Diffuser hoses + 2 Glass beads manual spray guns kit
LA4405/3	11 l Gravity tank + 2 Diffuser hoses + 2 Glass beads automatic spray guns kit

# EXCALIBUR AIRLESS LINE MARKER

**HIGH PRESSURE - MANUAL PUSH - PISTON PUMP**  
**2,2 L/MIN - 220 BAR - 4,8 HP HONDA PETROL ENGINE**

**PART No. LA4861**



## APPLICATIONS

### MEDIUM SIZE MARKING - MAINTENANCE - PAINTING JOBS

- Roads - Highways
- Galleries - Road tunnels
- Cycle runway
- Outdoor and underground parking
- Sports circuits
- Public and private areas
- Airports

## MATERIALS

### WATER OR SOLVENT PAINT WITHOUT SUSPENDED PARTICLES

## LINE TYPE

### SINGLE LINE

- 1 Colour
- Continuous - Dashed
- Width from 5 to 30 cm



# EXCALIBUR SERIES

PART No. LA4860  
Excalibur airless lines stripper  
with 50 l gravity tank



TECHNICAL DATA	
SERIES	EXCALIBUR
MODELS	Manual push - Piston pump
MAX. PRESSURE	220 bar
MAX. FLOW RATE	2,2 l/min
HONDA PETROL ENGINE	4,8 HP
AIRLESS PAINT CAPACITY	23 l paint can - 50 l gravity tank
DIMENSIONS	1.400 x 820 x 1.250 mm
WEIGHT	PART No. LA4861, 108 kg PART No. LA4860, 150 kg

PART No.	MANUAL PUSH	23 L PAINT CAN	50 L GRAVITY TANK	AIRLESS HOSE	AT250 AIRLESS MANUAL GUN	AIRLESS NOZZLE HOLDER	SUPER FAST CLEAN AIRLESS NOZZLES
LA4861	•	•	-	N°1 PART No. LA35015 Ø 1/4" - M16 x 1,5 - 10 m	N°1 PART No. LA11210 M16 x 1,5 inlet swivel	N°1 PART No. LA18270	N° 1 LASFC 11-40 N° 1 LASFC 13-40 N° 1 LASFC 15-40
LA4860	•	-	•	N°1 PART No. LA35015 Ø 1/4" - M16 x 1,5 - 10 m	N°1 PART No. LA11210 M16 x 1,5 inlet swivel	N°1 PART No. LA18270	N° 1 LASFC 11-40 N° 1 LASFC 13-40 N° 1 LASFC 15-40

## EXCALIBUR series includes:

filter with pressure gauge, recirculation hose and tools box.

## ACCESSORIES

PART No.	DESCRIPTION
LA35015	Ø 1/4" - M16 x 1,5 inlet swivel - 10 m Airless hose
LA11200	AT250 manual airless spray gun - M16 x 1,5 inlet swivel + Nozzle holder
LA11210	AT250 manual airless spray gun - M16 x 1,5 inlet swivel
LA18270	11/16" Europe W airless nozzle holder
LASFC	Super Fast Clean airless nozzle. Size from 11-20 to 51-80
LATSC	Top Spraying Clean airless nozzle. Size from 7-10 to 31-60
LA18245	50 l Gravity tank + Cover
LA18241	50 l Gravity tank + Cover+ Basket
LA4500	11 l Gravity tank + Glass beads diffuser hose
LA19510	11 l glass beads gravity tank
LA19510/1	Cover 11 l glass beads gravity tank

## KITS

PART No.	DESCRIPTION
LA200271	Complete kit for second airless gun for PART No. LA4861 and PART No. LA4860. (mounting kit PART No. LA4307/1 + airless gun PART No. LA11200 + airless nozzles PART No. LASFC 11-40 / 13-40 /15-40)
LA4307/1	Mounting kit for second airless gun (airless gun not included)
LA18359	11 l Gravity tank + 1 Diffuser hose + 1 Glass beads manual spray gun kit
LA18359/2	11 l Gravity tank + 2 Diffuser hoses + 2 Glass beads manual spray guns kit
LA4038	Laser pointer kit
LA4840	Gun handling + Front pivot

# ZEUS AIRLESS LINE MARKER

**HIGH PRESSURE - MANUAL PUSH - PISTON PUMP**  
**4,5 L/MIN - 220 BAR - 8,4 HP HONDA PETROL ENGINE**

**PART No. LA4561**



Ergonomic handle  
 · Reduced vibrations

23 l paint can

8,4 HP Petrol engine power  
 · Immediate motor operation  
 · Proven reliability

10 m resistant and flexible  
 airless hose

Piston pump  
 · Max. flow rate 4,5 l/min

Robust and compact structure

Front tiller  
 · 360° pivot wheel  
 · Directional locking

Pneumatic wheels Ø 400 mm  
 · Ease of movement  
 · Stability guarantee

Defined line on every type of surface  
 AT250 airless manual spray gun mounted on an adjustable block: it is possible to modify the spray pattern by changing the height of the gun or nozzle.

## APPLICATIONS

### MEDIUM SIZE MARKING - MAINTENANCE - PAINTING JOBS

- Roads - Highways
- Galleries - Road tunnels
- Cycle runway
- Outdoor and underground parking
- Sports circuits
- Public and private areas
- Airports

## MATERIALS

### WATER OR SOLVENT PAINT WITHOUT SUSPENDED PARTICLES

## LINE TYPE

### SINGLE LINE

- 1 Colour
- Continuous - Dashed
- Width from 5 to 30 cm



# ZEUS SERIES

## TECHNICAL DATA

<b>SERIES</b>	<b>ZEUS</b>
<b>MODELS</b>	Manual push - Piston pump
<b>MAX. PRESSURE</b>	220 bar
<b>MAX. FLOW RATE</b>	4,5 l/min
<b>HONDA PETROL ENGINE</b>	8,4 HP
<b>AIRLESS PAINT CAPACITY</b>	23 l paint can - 50 l gravity tank
<b>DIMENSIONS</b>	1.105 x 1.700 x 850 mm
<b>WEIGHT</b>	150 kg

PART No. LA4560  
ZEUS airless lines striper with 50 l



PART No.	MANUAL PUSH	23 L PAINT CAN	50 L GRAVITY TANK	AIRLESS HOSE	AT250 AIRLESS MANUAL GUN	AIRLESS NOZZLE HOLDER	SUPER FAST CLEAN AIRLESS NOZZLES
LA4561	•	•	-	N°1 PART No. LA35015 Ø 1/4" - M16 x 1,5 - 10 m	N°1 PART No. LA11210 M16 x 1,5 inlet swivel	N°1 PART No. LA18270	N° 1 LASFC 11-40 N° 1 LASFC 13-40 N° 1 LASFC 15-40
LA4560	•	-	•	N°1 PART No. LA35015 Ø 1/4" - M16 x 1,5 - 10 m	N°1 PART No. LA11210 M16 x 1,5 inlet swivel	N°1 PART No. LA18270	N° 1 LASFC 11-40 N° 1 LASFC 13-40 N° 1 LASFC 15-40
LA4591	•	•	-	N°1 PART No. LA35015 Ø 1/4" - M16 x 1,5 - 10 m	N° 2 Part. No LA11210 M16 x 1,5 inlet swivel	N° 2 PART No. LA18270	N° 2 LASFC 11-40 N° 2 LASFC 13-40 N° 2 LASFC 15-40
LA4590	•	-	•	N°1 PART No. LA35015 Ø 1/4" - M16 x 1,5 - 10 m	N° 2 Part. No LA11210 M16 x 1,5 inlet swivel	N° 2 PART No. LA18270	N° 2 LASFC 11-40

### ZEUS series includes:

filter with pressure gauge, recirculation hose and tools box.

## ACCESSORIES

PART NO.	DESCRIPTION
LA35015	Ø 1/4" - M16 x 1,5 inlet swivel - 10 m Airless hose
LA11200	AT250 manual airless spray gun - M16 x 1,5 inlet swivel + Nozzle holder
LA11210	AT250 manual airless spray gun - M16 x 1,5 inlet swivel
LA18270	11/16" Europe W airless nozzle holder
LASFC	Super Fast Clean airless nozzle. Size from 11-20 to 51-80
LATSC	Top Spraying Clean airless nozzle. Size from 7-10 to 31-60
LA18245	50 l Gravity tank + Cover
LA18241	50 l Gravity tank + Cover+ Basket
LA4500	11 l Gravity tank + Glass beads diffuser hose
LA19510	11 l glass beads gravity tank
LA19510/1	Cover 11 l glass beads gravity tank

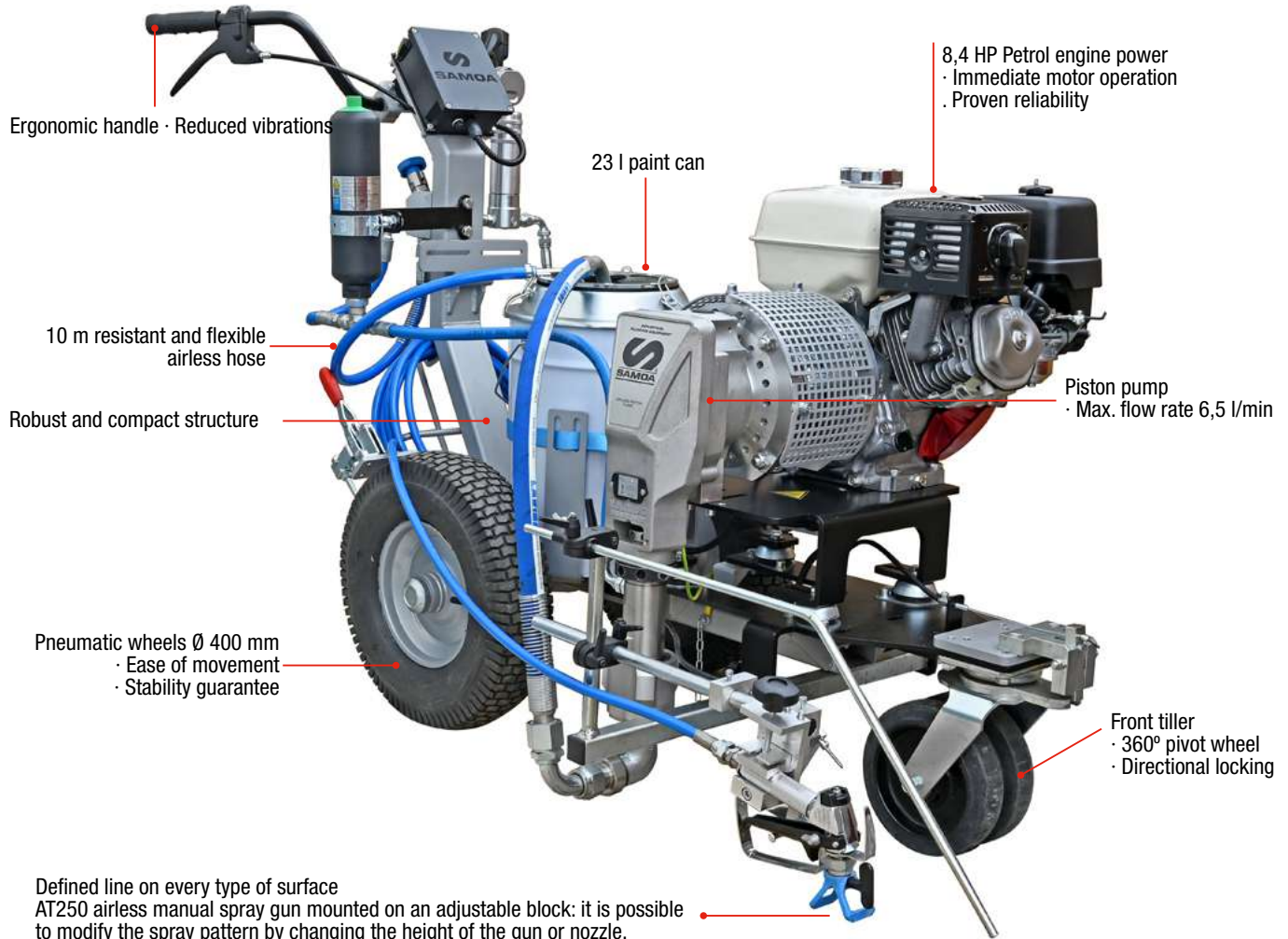
## KITS

PART No.	DESCRIPTION
LA200271	Complete kit for second airless gun for PART No. LA4561 and PART No. LA4560. (mounting kit PART No. LA4307/1 + airless gun PART No. LA11200 + airless nozzles PART No. LASFC 11- 40 / 13 - 40 / 15 - 40)
LA4307/1	Mounting kit for second airless gun (airless gun not included)
LA18359	11 l Gravity tank + 1 Diffuser hose + 1 Glass beads manual spray gun kit
LA18359/2	11 l Gravity tank + 2 Diffuser hoses + 2 Glass beads manual spray guns kit
LA4038	Laser pointer kit
LA4840	Gun handling + Front pivot

# DRAGON AIRLESS LINE MARKER

**HIGH PRESSURE - MANUAL PUSH - PISTON PUMP**  
**6,5 L/MIN - 220 BAR - 8,4 HP HONDA PETROL ENGINE**

**PART No. LA4561**



## APPLICATIONS

### BIG SIZE MARKING - MAINTENANCE - PAINTING JOBS

- Roads - Highways
- Galleries - Road tunnels
- Cycle runway
- Outdoor and underground parking
- Sports circuits
- Public and private areas
- Airports

## MATERIALS

### WATER OR SOLVENT PAINT WITHOUT SUSPENDED PARTICLES

## LINE TYPE

### DOUBLE LINE

- 1 Colour
- Continuous - Dashed - Mixed
- Width from 5 to 30 cm



# DRAGON SERIES

## TECHNICAL DATA

<b>SERIES</b>	<b>DRAGON</b>
<b>MODELS</b>	Manual push - Piston pump
<b>MAX. PRESSURE</b>	220 bar
<b>MAX. FLOW RATE</b>	6,5 l/min
<b>HONDA PETROL ENGINE</b>	8,4 HP
<b>AIRLESS PAINT CAPACITY</b>	23 l paint can - 50 l gravity tank
<b>DIMENSIONS</b>	1.430 x 1.930 x 1.560 mm
<b>WEIGHT</b>	PART No. LA4595, 230 kg - PART No. LA4596, 300 kg

PART No.	MANUAL PUSH	23 L PAINT CAN	50 L GRAVITY TANK	AIRLESS HOSE	AT250 AIRLESS MANUAL GUN	AIRLESS NOZZLE HOLDER	SUPER FAST CLEAN AIRLESS NOZZLES
LA4595	•	•	-	N°1 PART No. LA18026 Ø 1/4" - M16 x 1,5 - 15 m	N°1 PART No. LA11210 M16 x 1,5 inlet swivel	N°1 PART No. LA18270	N°1 LASFC 13-40 N°1 LASFC 17-40 N°1 LASFC 21-40
LA4596	•	-	•	N°1 PART No. LA18026 Ø 1/4" - M16 x 1,5 - 15 m	N°1 PART No. LA11210 M16 x 1,5 inlet swivel	N°1 PART No. LA18270	N°1 LASFC 13-40 N°1 LASFC 17-40 N°1 LASFC 21-40
LA4597	•	•	-	N°1 PART No. LA18026 Ø 1/4" - M16 x 1,5 - 15 m	N°2 PART No. LA11210 M16 x 1,5 inlet swivel	N°2 PART No. LA18270	N°2 LASFC 13-40 N°2 LASFC 17-40 N°2 LASFC 21-40
LA4598	•	-	•	N°1 PART No. LA18026 Ø 1/4" - M16 x 1,5 - 15 m	N°2 PART No. LA11210 M16 x 1,5 inlet swivel	N°2 PART No. LA18270	N°2 LASFC 13-40 N°2 LASFC 17-40 N°2 LASFC 21-40

### DRAGON series includes:

filter with pressure gauge, recirculation hose, tools box.

## ACCESSORIES

PART No.	DESCRIPTION
LA18026	Ø 1/4" - M16 x 1,5 inlet swivel - 15 m Airless hose
LA11200	AT250 manual airless spray gun - M16 x 1,5 inlet swivel + Nozzle holder
LA11210	AT250 manual airless spray gun - M16 x 1,5 inlet swivel
LA18270	11/16" Europe W airless nozzle holder
LASFC	Super Fast Clean airless nozzle. Size from 11-20 to 51-80
LATSC	Top Spraying Clean airless nozzle. Size from 7-10 to 31-60
LA18245	50 l Gravity tank + Cover
LA18241	50 l Gravity tank + Cover + Basket
LA4500	11 l Gravity tank + Glass beads diffuser hose
LA26000	Operator footboard
LA4720	Seat kit
LA19510	11 l glass beads gravity tank
LA19510/1	Cover 11 l glass beads gravity tank

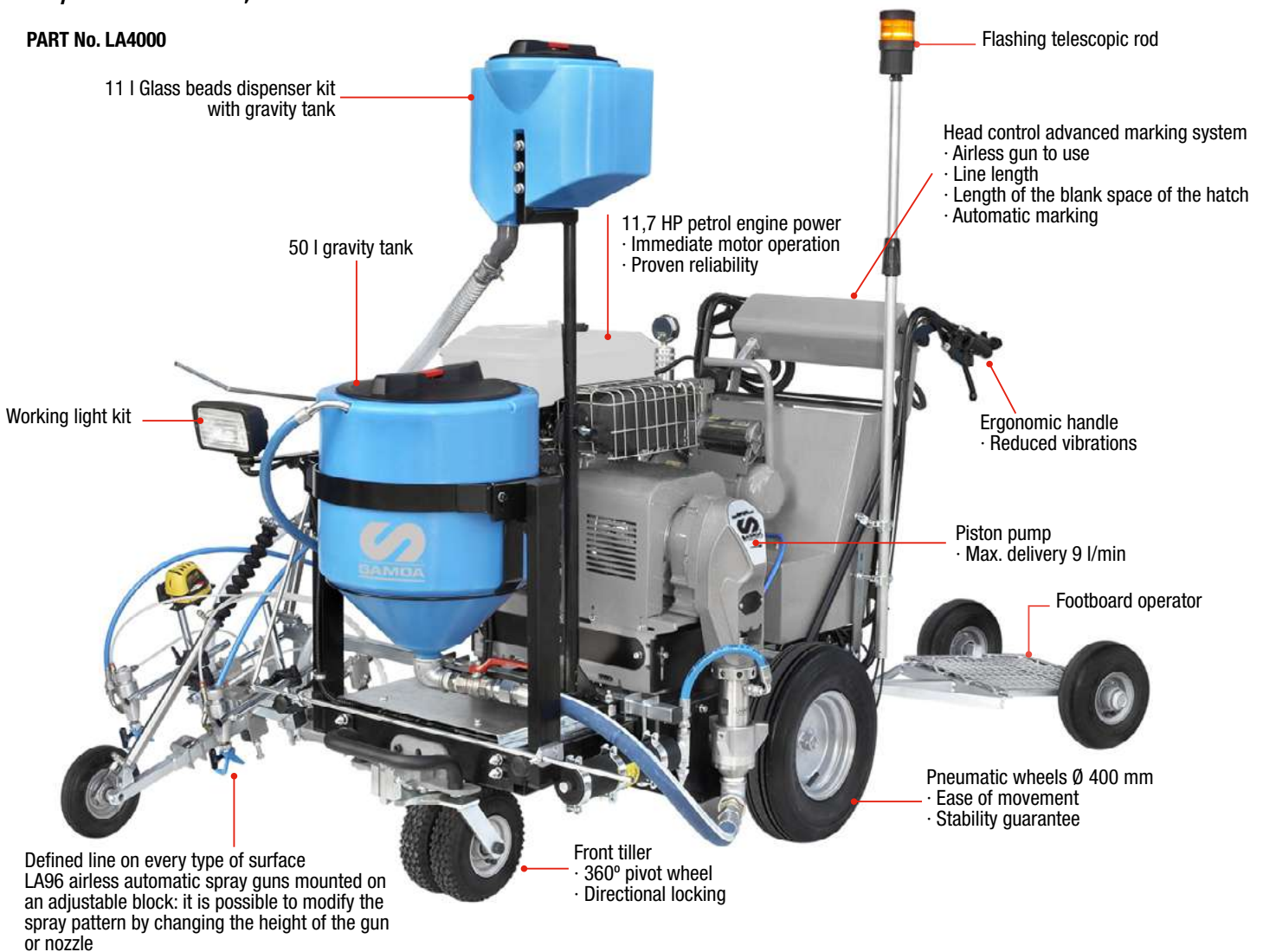
## KITS

PART No.	DESCRIPTION
LA18359	11 l Gravity tank + 1 Diffuser hose + 1 Glass beads manual spray gun kit
LA18359/2	11 l Gravity tank + 2 Diffuser hoses + 2 Glass beads manual spray guns kit
LA4405/3	11 l Gravity tank + 2 Diffuser hoses + 2 Glass beads automatic spray guns kit
LA4038	Laser pointer kit
LA4506	Working light kit
LA4507	Flashing telescopic rod kit
LA4839	Pneumatic gun handling + Front pivot

# EVEREST TH AIRLESS LINE MARKER

**HIGH PRESSURE - SELF PROPELLED - AUTOMATIC MARKING - PISTON PUMP  
9 L /MIN - 220 BAR - 11,7 HP HONDA PETROL ENGINE**

**PART No. LA4000**



## APPLICATIONS

### BIG SIZE MARKING - MAINTENANCE - PAINTING JOBS

- Roads - Highways
- Galleries - Road tunnels
- Cycle runway
- Outdoor and underground parking
- Sports circuits
- Public and private areas
- Airports

## MATERIALS

**WATER OR SOLVENT PAINT WITHOUT SUSPENDED PARTICLES**

## LINE TYPE

### DOUBLE LINE

- 1 Colour
- Continuous - Dashed - Mixed
- Width from 5 to 30 cm



# EVEREST TH SERIES

## TECHNICAL DATA

<b>SERIES</b>	<b>EVEREST TH</b>
<b>MODELS</b>	Self-propelled - Piston pump
<b>MAX. PRESSURE</b>	220 bar
<b>MAX. FLOW RATE</b>	9 l/min
<b>HONDA PETROL ENGINE</b>	11,7 HP
<b>AIRLESS PAINT CAPACITY</b>	50 l gravity tank ( 100 l on request)
<b>DIMENSIONS</b>	1.920 x 1.450 x 1.580 mm
<b>WEIGHT</b>	350 kg

PART No.	SELF PROPELLED	50 L GRAVITY TANK	AUTOMATIC MARKING	AIRLESS HOSE	AT250 MANUAL AIRLESS GUN	LA96 AUTOMATIC AIRLESS GUN	AIRLESS NOZZLE HOLDER	SUPER FAST CLEAN AIRLESS NOZZLES
LA4000	•	•	•	N°1 PART No. LA18026 Ø 1/4" - M16x1,5 - 15 m	N°1 PART No. LA11210 M16x1,5 inlet swivel	N°2 PART No. LA11708 M16x1,5 inlet swivel	N°3 PART No. LA18270	N°2 LASFC 13-40 N°2 LASFC 17-40 N°2 LASFC 21-40 N°1 LASFC 19-40

### EVEREST TH series includes:

filter with pressure gauge, recirculation hose, working light, flashing telescopic rod, footboard kit, piston accumulator, gun handling + front pivot and tools box.

## ACCESSORIES

PART No.	DESCRIPTION
LA18026	Ø 1/4" - M16 x 1,5 inlet swivel - 15 m Airless hose
LA11200	AT250 manual airless spray gun - M16 x 1,5 inlet swivel + Nozzle holder
LA11210	AT250 manual airless spray gun - M16 x 1,5 inlet swivel
LA11701	LA96 automatic airless spray gun - M16 x 1,5 inlet swivel + Nozzle holder
LA11708	LA96 automatic airless spray gun - M16 x 1,5 inlet swivel
LA18270	11/16" Europe W airless nozzle holder
LASFC	Super Fast Clean airless nozzle. Size from 11-20 to 51-80
LATSC	Top Spraying Clean airless nozzle. Size from 7-10 to 31-60
LA18245	50 l Gravity tank + Cover
LA18241	50 l Gravity tank + Cover + Basket
LA4500	11 l Gravity tank + Glass beads diffuser hose
LA26000	Operator footboard
LA4720	Seat kit
LA4756	Piston accumulator
LA19510	Serbatoio a gravità 11 l per sfere di vetro riflettenti
LA19510/1	Coperchio serbatoio a gravità 11 l per sfere di vetro riflettenti

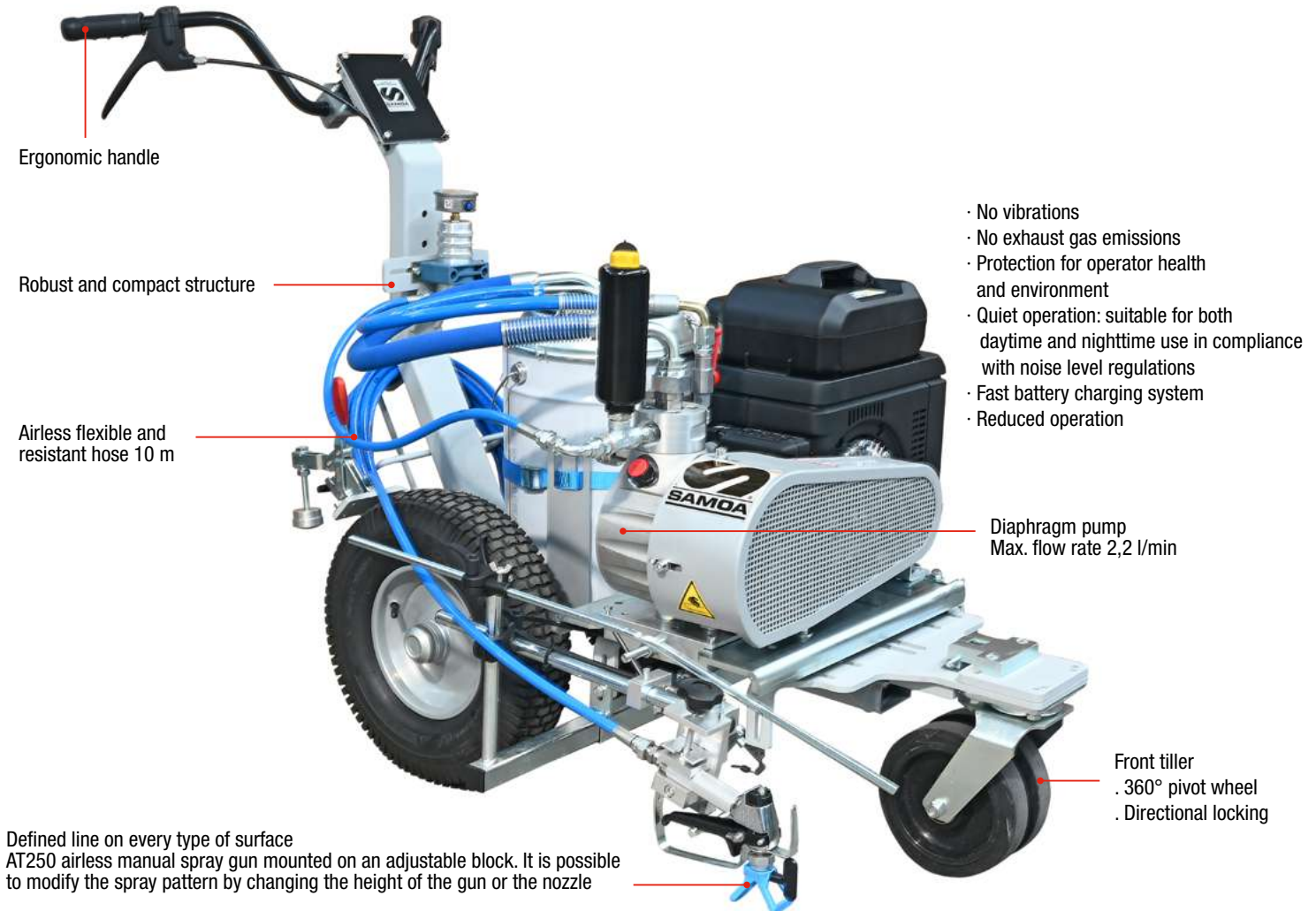
## KITS

PART No.	DESCRIPTION
LA4307	Mounting kit for second airless gun (airless gun not included)
LA18359	11 l Gravity tank+ 1 Diffuser hose + 1 Glass beads manual spray gun kit
LA18359/2	11 l Gravity tank + 2 Diffuser hoses + 2 glass beads manual spray guns kit
LA4405/3	11 l Gravity tank + 2 Diffuser hoses + 2 Glass beads automatic spray guns kit
LA4506	Working light kit
LA4038	Laser pointer kit
LA4507	Flashing telescopic rod kit
LA4839	Pneumatic gun handling + Front pivot wheel

# MIRÒ E-LINER AIRLESS LINE MARKER

**HIGH PRESSURE - MANUAL PUSH - DIAPHRAGM PUMP**  
**2,2 L / MIN - 220 BAR - 1,8 KW HONDA MOTOR ELECTRIC POWER**

**PART No. LA431B01**



## APPLICATIONS

### MEDIUM SIZE MARKING - MAINTENANCE - PAINTING JOBS

- Internal logistic marking in all areas where line strippers with petrol engine motor are off-limits
- Roads - Highways
- Galleries - Road tunnels
- Cycle runway
- Outdoor and underground parking
- Sports circuits
- Public and private areas
- Airports

## MATERIALS

### WATER OR SOLVENT PAINT WITHOUT SUSPENDED PARTICLES

## LINE TYPE

### DOUBLE LINE

- 1 Colour
- Continuous - Dashed
- Width from 5 to 30 cm



# MIRÒ E-LINER

PART No. LA431B01  
MIRÒ E-LINER Airless road marking machine with 23 l paint can

## TECHNICAL DATA

<b>SERIES</b>	<b>MIRÒ E-LINER</b>
<b>MODEL</b>	Manual push - Diaphragm pump
<b>MAX. WORKING PRESSURE</b>	220 bar
<b>MAX. FLOW RATE</b>	2,2 l/min
<b>HONDA MOTOR ELECTRIC POWER</b>	1,8 kW
<b>HONDA BATTERY POWER</b>	0,72 kWh
<b>BATTERY ENGINE</b>	10.0 Ah
<b>CHARGING TIME</b>	≈ 50 min
<b>LITERS DISPENSED ONE BATTERY AT FULL CAPACITY</b>	46 l (Pressure 200 bar - Airless nozzle LASFC 15-40)
<b>CHARGING TEMPERATURE RANGE</b>	from 5 to 30° C
<b>AIRLESS PAINT CAPACITY</b>	23 l paint can - 50 l gravity tank
<b>DIMENSIONS</b>	1.400 X 840 X 1.280 mm
<b>WEIGHT</b>	120 kg



PART No.	BATTERY No.	MANUAL PUSH	23 L PAINT CAN	50 L GRAVITY TANK	AIRLESS HOSE	AT250 MANUAL AIRLESS GUN	AIRLESS NOZZLE HOLDER	SUPER FAST CLEAN AIRLESS NOZZLES
LA431B01	1	•	•	-	N°1 PART No. LA35015 Ø 1/4" - M16X1,5 - 10 m	N°1 PART No. LA11210 M16X1,5 inlet swivel	N°1 PART No. LA18270	N°1 LASFC 11-40 N°1 LASFC 13-40 N°1 LASFC 15-40
LA432B01	2	•	•	-	N°1 PART No. LA35015 Ø 1/4" - M16X1,5 - 10 m	N°1 PART No. LA11210 M16X1,5 inlet swivel	N°1 PART No. LA18270	N°1 LASFC 11-40 N°1 LASFC 13-40 N°1 LASFC 15-40
LA431B11	1	•	-	•	N°1 PART No. LA35015 Ø 1/4" - M16X1,5 - 10 m	N°1 PART No. LA11210 M16X1,5 inlet swivel	N°1 PART No. LA18270	N°1 LASFC 11-40 N°1 LASFC 13-40 N°1 LASFC 15-40
LA432B21	2	•	-	•	N°1 PART No. LA35015 Ø 1/4" - M16X1,5 - 10 m	N°1 PART No. LA11210 M16X1,5 inlet swivel	N°1 PART No. LA18270	N°1 LASFC 11-40 N°1 LASFC 13-40 N°1 LASFC 15-40

### MIRÒ E-LINER series includes:

Filter with pressure gauge, recirculation hose, battery charger and tools box

## ACCESSORIES

PART No.	DESCRIPTION
LA35015	Airless hose Ø 1/4" - M16X1,5 inlet swivel - 10 m
LA11200	AT250 airless manual spray gun - M16X1,5 inlet swivel + Nozzle holder
LA11210	AT250 airless manual spray gun - M16X1,5 inlet swivel
LA18270	Europe 11/16" W airless nozzle holder
LASFC	Super fast clean. Airless spray gun. Size from 11-20 to 51-80
LATSC	Top spraying clean. Airless spray gun. Size from 11-20 to 51-80
LA18245	50 l gravity tank + Cover
LA18241	50 l gravity tank + Cover + Basket
LA200621	Battery
LA200622	Battery recharge
LA4756	Piston accumulator

PART No. LA431B01  
MIRÒ E-LINER Airless road marking machine with 23 l paint can



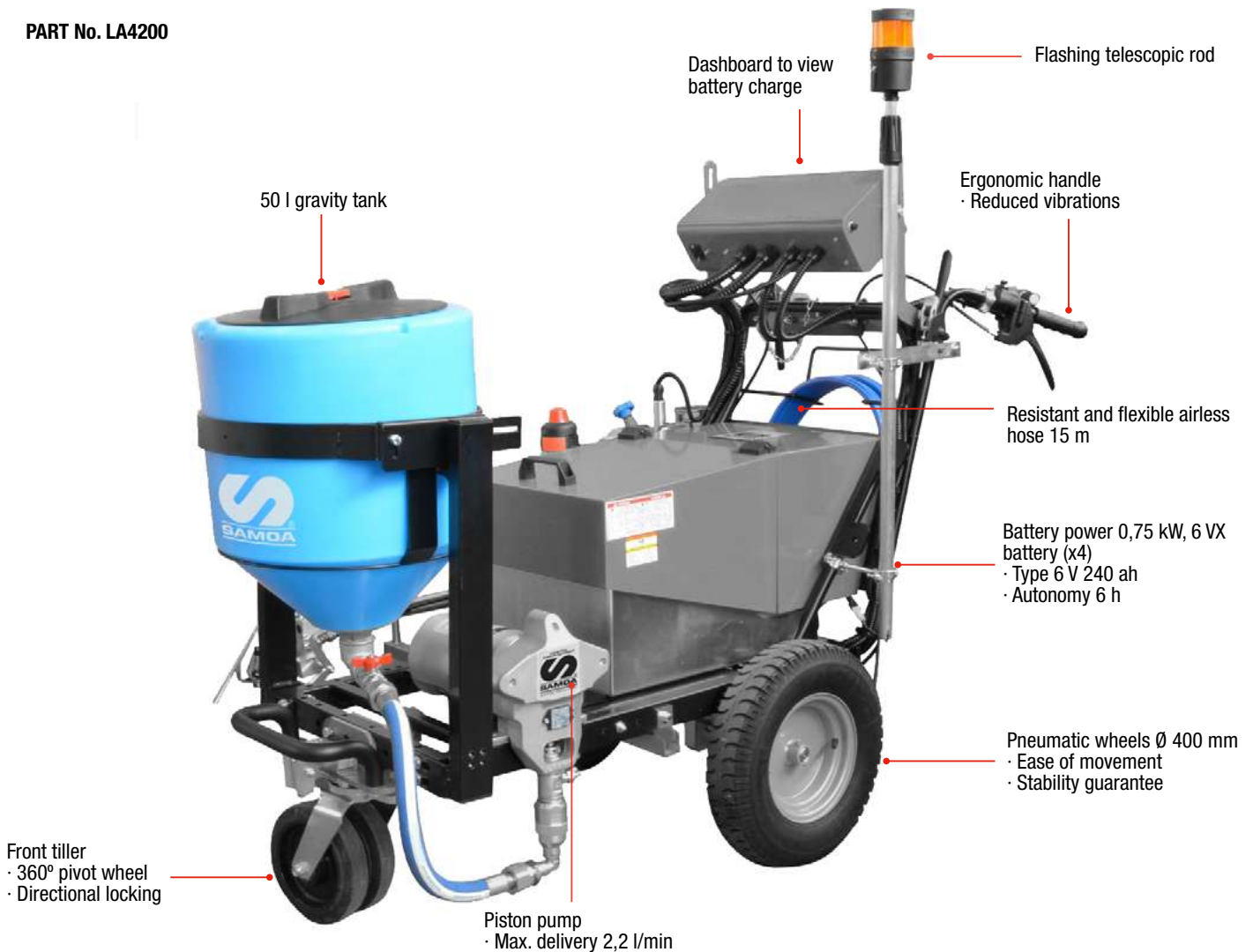
## KITS

PART No.	DESCRIPTION
LA4506	Working light kit
LA4507	Flashing telescopic rod kit

# ECO K21 AIRLESS LINE MARKER

**HIGH PRESSURE - SELF PROPELLED - PISTON PUMP**  
**2,2 L/MIN - 220 BAR - 0,75 KW HONDA MOTOR ELECTRIC POWER**

**PART No. LA4200**



## APPLICATIONS

### MEDIUM SIZE MARKING - MAINTENANCE - PAINTING JOBS

- Internal logistic marking in all areas where line strippers with petrol engine motor are off-limits
- Roads - Highways
- Galleries - Road tunnels
- Cycle runway
- Outdoor and underground parking
- Sports circuits
- Public and private areas
- Airports

## MATERIALS

### WATER OR SOLVENT PAINT WITHOUT SUSPENDED PARTICLES

## LINE TYPE

### DOUBLE LINE

- 1 Colour
- Continuous - Dashed
- Width from 5 to 30 cm



## ECO K21 SERIES

### TECHNICAL DATA

<b>SERIES</b>	<b>ECO K21</b>
<b>MODEL</b>	Self-propelled - Piston pump
<b>MAX. PRESSURE</b>	220 bar
<b>MAX. FLOW RATE</b>	2,2 l/m
<b>MOTOR ELECTRIC POWER</b>	0,75 kW
<b>BATTERY ENGINE</b>	960 A/h (4 batteries)
<b>AIRLESS PAINT CAPACITY</b>	50 l gravity tank
<b>DIMENSIONS</b>	1.920 x 1.450 x 1.580 mm
<b>WEIGHT</b>	280 kg

PART No.	BATTERY	SELF PROPELLED	50 L GRAVITY TANK	AIRLESS HOSE	AT250 MANUAL AIRLESS GUN	AIRLESS NOZZLE HOLDER	SUPER FAST CLEAN AIRLESS NOZZLES
LA4200	•	•	•	N°1 PART No. LA35015 Ø 1/4" - M16 x 1,5 - 10 m	N°1 PART No. LA11210 M16 x 1,5 inlet swivel	N°1 PART No. LA18270	N°1 LASFC 11-40 N°1 LASFC 13-40 N°1 LASFC 17-40

#### ECO K21 series includes:

filter with pressure gauge, recirculation hose, flashing telescopic rod kit, battery charger and tools box.

### ACCESSORIES

PART NO.	DESCRIPTION
LA18026	Airless hose Ø 1/4" - M16 x 1,5 inlet swivel - 15 m
LA11200	AT250 manual airless spray gun - M16 x 1,5 inlet swivel + Nozzle holder
LA11210	AT250 manual airless spray gun - M16 x 1,5 inlet swivel
LA18270	Europe 11/16 " W airless nozzle holder
LASFC	Super Fast Clean airless nozzle. Size from 11-20 to 51-80
LATSC	Top Spraying Clean airless nozzle. Size from 7-10 to 31-60
LA18245	50 l Gravity tank + Cover
LA18241	50 l Gravity tank + Cover + Basket
LA4500	11 l Gravity tank + Glass beads diffuser hose
LA26000	Operator footboard
LA4720	Seat kit
LA4605	Battery charger
LA19510	11 l glass beads gravity tank
LA19510/1	Cover 11 l glass beads gravity tank

### KITS

PART No.	DESCRIPTION
LA200272	Complete kit for second airless gun (mounting kit PART No. LA4307/1 + airless gun PART No. LA11200 + airless nozzles PART No. LASFC 11-40 / 13-40 /17-40)
LA4307/1	Mounting kit for second airless gun (airless gun not included)
LA18359	11 l Gravity tank + 1 Diffuser hose + 1 Glass beads manual spray gun
LA18359/2	11 l Gravity tank + 2 Diffuser hoses + 2 Glass beads manual spray guns
LA4038	Laser pointer kit
LA4506	Working light kit
LA4507	Flashing telescopic rod kit

# ORIGINAL ACCESSORIES FOR HIGH PERFORMANCE

## AIRLESS SPRAY GUNS. CONSTANT FLOW FOR DEFINED LINES

AT250 SERIES. MANUAL AIRLESS SPRAY FINISHING GUNS  
SUPERIOR ATOMIZATION, FAST APPLICATION, SAVE MATERIAL.

- ALUMINIUM GUN BODY AND ERGONOMIC HANDLE
- HIGH TRANSFER EFFICIENCY
- REDUCED OVERSPRAY PRODUCTION
- LONG CYCLE OF USE



PART No. LA11200

PART No.	DESCRIPTION
LA11200	AT250 manual airless gun - M16 x 1,5 inlet swivel + Nozzle holder
LA11210	AT250 manual airless gun - M16 x 1,5 inlet swivel

### TECHNICAL DATA

ACTIVATION	MANUAL
MAX. FLUID PRESSURE	250 bar
MAX. FLUID TEMPERATURE	50 °C
FLUID INLET	M16 x 1,5
WEIGHT	650 g

MATERIALS IN CONTACT WITH FLUID

Aluminium - Stainless Steel - Galvanized steel - Hard metal - PTFE - Brass

### SPRAY AIRLESS GUN BUTT FILTERS

PART No.	DESCRIPTION	COLOUR	MESH	QUANTITY
LA11039/25	Butt filter	Green	30	25
LA11038/25	Butt filter	White	60	25
LA11037/25	Butt filter	Yellow	100	25
LA11019/25	Butt filter	Red	200	25



PART No. LA11039/25

PART No. LA11038/25

PART No. LA11037/25

PART No. LA11019/25

## LA96 SERIES. AUTOMATIC AIRLESS SPRAY FINISHING GUNS

SUPERIOR ATOMIZATION, FAST APPLICATION, SAVE MATERIAL.

- COMPACT AND ROBUST GUN BODY DESIGN TO INTEGRATE IN ALL WORKING AREAS
- HIGH TRANSFER EFFICIENCY
- REDUCED OVERSPRAY
- LONG CYCLE OF USE



PART No. LA11701

PART No.	DESCRIPTION
LA11701	LA96 automatic airless gun - M16 x 1,5 inlet swivel + Nozzle holder
LA11708	LA96 automatic airless gun - M16 x 1,5 inlet swivel

### TECHNICAL DATA

ACTIVATION	AUTOMATIC
MAX. FLUID PRESSURE	300 bar
OPENING AIR PRESSURE RANGE	2 - 6 bar
MAX. FLUID TEMPERATURE	90 °C
AIR INLET	Ø 6 mm
FLUID INLET	M16 x 1,5
WEIGHT	754 g

MATERIALS IN CONTACT WITH FLUID

Stainless Steel - Hard metal- PTFE

# PERFORMING AIRLESS SPRAYING NOZZLES & HIGH PRESSURE HOSES

## AIRLESS NOZZLE HOLDER

PART No.	DESCRIPTION
LA18270	11/16" W Europe airless nozzle holder



PART No. LA18270

## AIRLESS SPRAYING NOZZLES

HOMOGENEOUS COVERAGE: THE OPTIMIZED DESIGN OF THE PAINT NOZZLE MAKES THE PRODUCT FLOW MORE EFFICIENT.

- COMPATIBLE WITH A WIDE RANGE OF PAINT PRODUCTS
- TUNGSTEN CARBIDE STRUCTURE
- STAINLESS STEEL - PTFE GASKET
- QUICK AND EASY CLEANING



## AIRLESS SUPER FAST CLEAN NOZZLES

PART No.	SIZE	L/MIN 200 BAR
LASFC 11	20 - 40	0,55
LASFC 13	20 - 40 - 60	0,80
LASFC 15	20 - 40 - 60	1,10
LASFC 17	20 - 40 - 60	1,41
LASFC 19	10 - 20 - 40 - 60	1,77
LASFC 21	20 - 40 - 60	2,15
LASFC 23	20 - 40 - 60	2,57
LASFC 25	20 - 40 - 60	2,90
LASFC 27	20 - 40 - 60 - 80	3,50
LASFC 29	20 - 40 - 60 - 80	4,30
LASFC 31	40 - 60 - 80	4,83
LASFC 33	40 - 60 - 80	5,50
LASFC 35	40	6,00
LASFC 37	40	6,70
LASFC 39	40 - 60 - 80	7,10
LASFC 41	40	8,10
LASFC 43	40 - 60 - 80	9,67
LASFC 45	60	9,80
LASFC 47	60	10,70
LASFC 51	40 - 60 - 80	12,20

## AIRLESS TOP SPRAYING CLEAN NOZZLES

PART No.	SIZE	L/MIN 200 BAR
LATSC 7	10 - 20 - 40	0,26
LATSC 9	20 - 40	0,35
LATSC 11	10 - 20 - 40	0,55
LATSC 13	20 - 40 - 60	0,80
LATSC 15	10 - 20 - 40 - 60	1,10
LATSC 17	20 - 40 - 60	1,41
LATSC 19	20 - 40 - 60	1,77
LATSC 21	10 - 20 - 40 - 60	2,15
LATSC 23	10 - 20 - 40 - 60	2,57
LATSC 27	10 - 20 - 40 - 60	3,50
LATSC 31	10 - 40 - 60	4,83

## GET THE RIGHT LINE WIDTH WITH THE RIGHT LASFC AIRLESS SPRAY TIPS

LINE WIDTH	IN	mm	LASFC 13	LASFC 15	LASFC 17	LASFC 19	LASFC 21	LASFC 23	LASFC 25	LASFC 27	LASFC 29	LASFC 31	LASFC 33	LASFC 35	LASFC 39	LASFC 43
	2 - 4	(51 - 102)		13-20	15-20	17-20	19-20	•	•	•	•	•	•	•	•	•
4 - 8	(102 - 204)		•	•	17-40	19-40	21-40	23-40	25-40	27-40	29-40	31-40	•	35-40	39-40	43-40
8 - 12	(204 - 305)		•	•	•	•	21-60	23-60	25-60	27-60	29-60	31-60	•	35-60	39-60	43-60
	FLOW RATE (GPM)		.18	.24	.31	.38	.47	.57	.67	.77	.90	1.03	1.17	1.31	1.63	1.98
	FLOW RATE (lpm)		.69	.91	1.17	1.47	1.79	2.15	2.54	2.96	3.42	3.90	4.42	4.98	6.18	7.51

# USEFUL AIRLESS LINE MARKING ACCESSORIES

## AIRLESS HOSES

PART No.	DESCRIPTION
LA35015	Airless hose Ø 1/4" - M16x1,5 inlet swivel - 10 m
LA18026	Airless hose Ø 1/4" - M16x1,5 inlet swivel - 15 m



PART No. LA35015

## GRAVITY TANKS

PART No.	DESCRIPTION
LA18245	50 l Gravity tank + Cover
LA18241	50 l Gravity tank + Cover + Basket
LA4041/2	100 l Gravity tank + Cover
LA4041	100 l Gravity tank + Cover + Basket
LA4500	11 l Gravity tank + Glass beads diffuser hose
LA19510	11 l glass beads gravity tank
LA19510/1	Cover 11 l glass beads gravity tank



PART No. LA18241

## KIT DISTRIBUTORE PERLINE DI VETRO

LA18359	11 l Gravity tank + 1 Diffuser hose + 1 Glass beads manual spray gun
LA18359/2	11 l Gravity tank + 2 Diffuser hoses + 2 Glass beads manual spray guns
LA4405/3	11 l Gravity tank + 2 Diffuser hoses + 2 Glass beads automatic spray guns



PART No. LA4405/3

PART No. LA18359/2

PART No. LA18359

## KIT

LA4307	Mounting kit for second airless gun (airless gun not included)
LA4038	Laser pointer kit
LA4506	Working light kit
LA4507	Flashing telescopic rod kit
LA4840	Gun handling + Front pivot wheel

## OPERATOR FOOTBOARD

PART No.	DESCRIPTION
LA26000	Operator footboard



PART No. LA26000

## SEAT KIT

PART No.	DESCRIPTION
LA4720	Seat kit



PART No. LA4720

## BATTERY CHARGE

PART No.	DESCRIPTION
LA4605	Battery charger

## PISTON ACCUMULATOR

PART No.	DESCRIPTION
LA4756	Piston accumulator



PART No. LA4756



**SAMOA INDUSTRIAL, S.A. - HEADQUARTERS**

**SPAIN AND EXPORT MARKETS**

POL. IND. PORCEYO, I-14 - CAMINO DEL FONTÁN, 831  
E-33392 GIJÓN (ASTURIAS), SPAIN  
TEL.: +34 985 381 488

**SAMOA ITALIA - LARIUS**

**ITALY**

VIA ANTONIO STOPPANI, 21  
23801 CALOLZIOCORTE (LC) ITALY  
Tel.: +39 0341 621152  
Web: [www.larius.com](http://www.larius.com)

**SAMOA LTD.**

**UNITED KINGDOM AND REP. OF IRELAND**

ASTURIAS HOUSE - BARRS FOLD ROAD  
WINGATES INDUSTRIAL PARK  
WESTHOUGHTON, BL5 3XP, UK  
TEL.: +44 1942 850600

**SAMOA S.A.R.L.**

**FRANCE**

P.A.E.I. DU GIESSEN  
3, RUE DE BRISCHBACH  
67750 SCHERWILLER, FRANCE  
TEL.: +33 3 88 82 79 62

**SAMOA FLOWTECH GMBH**

GERMANY, AUSTRIA, SWITZERLAND, THE NETHERLANDS AND GREECE  
AM OBEREICHHOLZ 4  
D - 97828 MARKTHEIDENFELD, GERMANY  
TEL.: +49 9391 9826 0

**SAMOA CORPORATION**

USA, MEXICO AND CANADA  
90 MONTICELLO ROAD  
WEAVERVILLE, NC 28787, USA  
TEL. +1 (828) 645-2290



©Copyright, SAMOA INDUSTRIAL, S.A.

SAMOA Industrial, S.A. is an ISO 9001, ISO 14001 and ISO 45001 certified company.



**Contact us today!**

Visit: [www.samoaindustrial.com](http://www.samoaindustrial.com) for more information.